

SONY

Hi-Fi Products
Service Bulletin

Sony Service Company Technical Services
A Division of Sony Corporation of America
Sony Drive, Park Ridge, New Jersey, 07656

Model: TCD-D10, DTC-1000ES

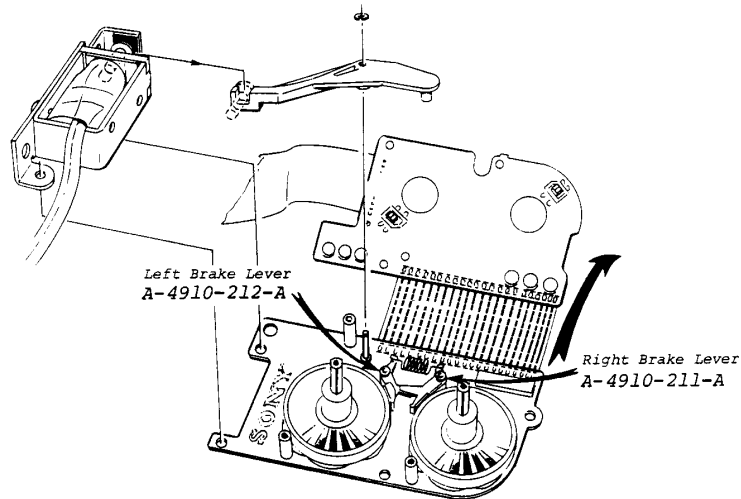
No. 213

Subject: Brake Levers Available Separately

Date: September 20, 1991

Symptom: (**)
Formerly, the brake lever has only been available as part of the reel motor assembly.

Solution: The brake levers are now available separately. The part numbers are: A-4910-211-A for the right brake lever, and A-4910-212-A for left brake lever.



TAKEUP AND SUPPLY REEL ASSEMBLY

Reference: FPR-M2158

PRINTED IN U.S.A.
CSA-13991-6

CSA-13 DAT Deck